



CB 425 New

LIST OF THE EXPLODED VIEWS



SHELL ASSY

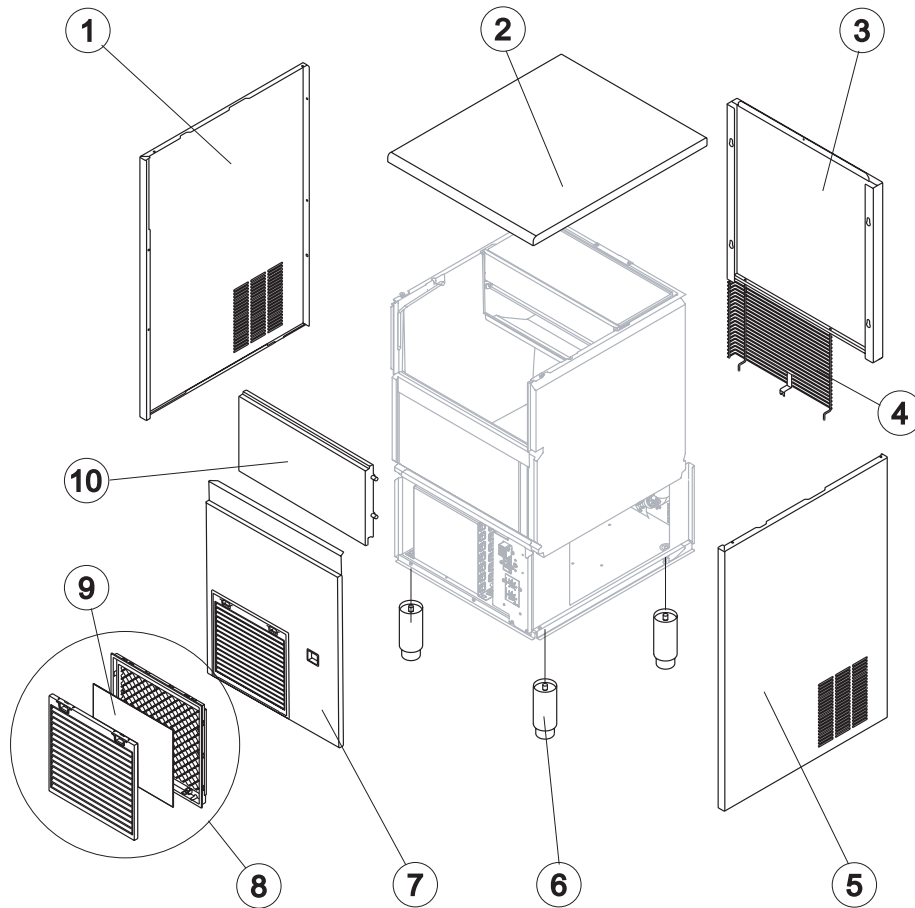
COOLING SYSTEM

HYDRAULIC CIRCUIT

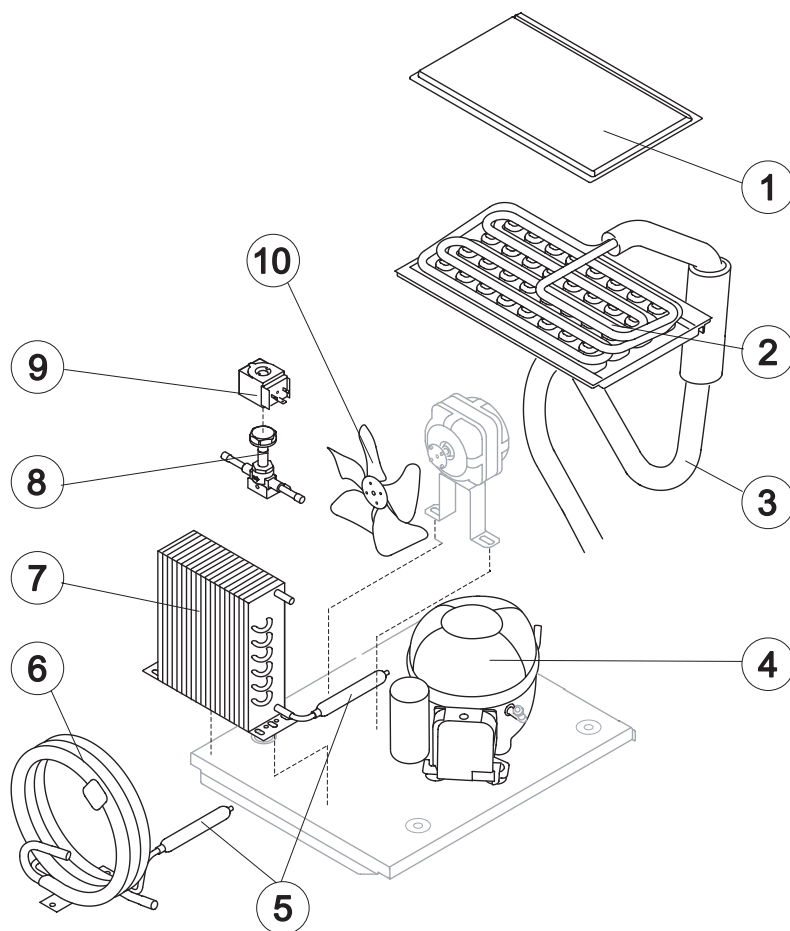
HYDRAULIC CIRCUIT DP

ELECTRICAL PARTS

Rev. 01 - 06/06/2022



Ref.	Spare Description	Code
1	Left Side Panel Assembly	C222002
2	Top	221967
3	Rear Side Panel	21565
4	Back grill	D12136
5	Right Side Panel Assembly	C222003
6	Adjustable Foot	20613
7	Front Panel	C221978
8	Grid whit Filter Assembly	C10205
9	Filter	18106
10	Door Assembly	C10297



Common Parts

Ref.	Spare Description	Code
1	Evaporator Cover Panel	10513
2	Evaporator Assy	See Table
3	Suction Line	for the spare parts code give us the s/n.
4	Compressor	See Table
5*	Liquid Line Drier	14009
8*	Hot Gas Valve Body	201129
9*	Hot Gas Valve Coil	231294

Parts for Air-Cooled Version Only

Ref.	Spare Description	Code
7	Air Condenser	201238
10	Suction Fan	20096

Parts for Water-Cooled Version Only

Ref.	Spare Description	Code
6	Water Condenser	14374
10	Suction Fan	10213

R2f. 2 - Evaporator

Kind of Cube	Code
18 g. (Standard)	D10046
33 g.	D10089
13 g.	D10417
42 g.	D10465

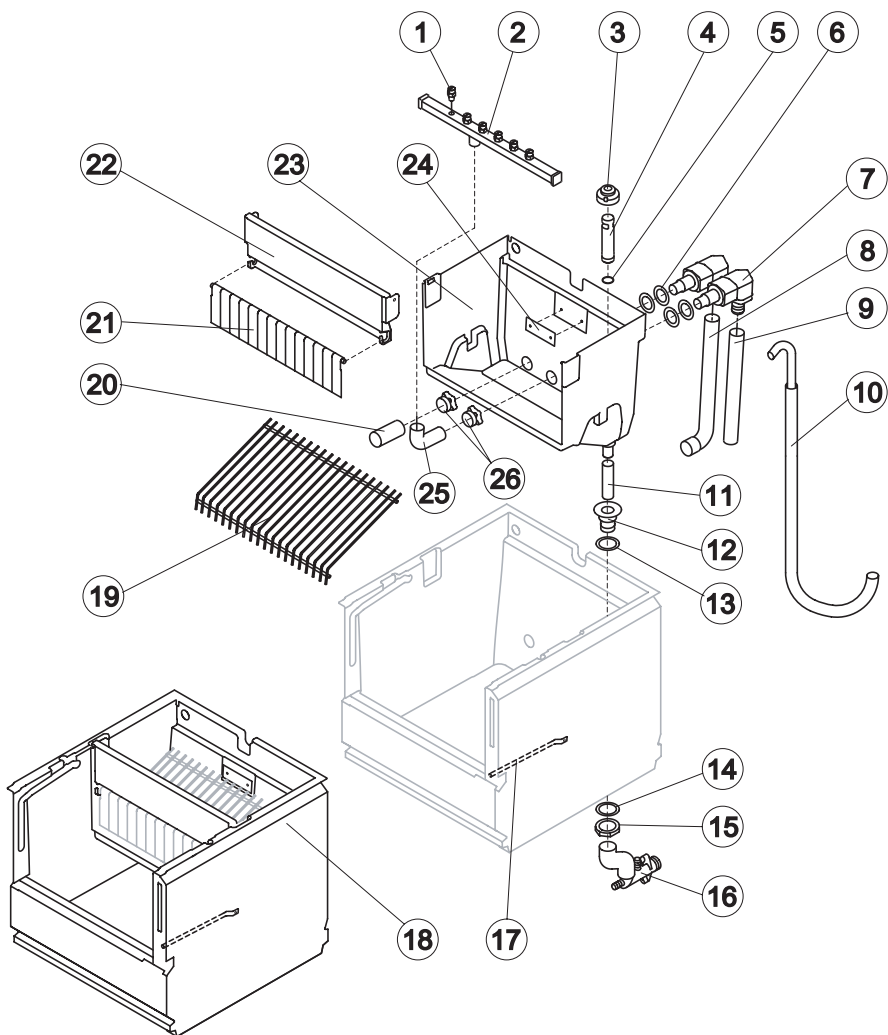
Ref. 4 - Compressor

Voltage	Code
220/240V 50 Hz	231202
220V 60 Hz	23495A
115V 60 Hz	23678



CB 425 New

HYDRAULIC CIRCUIT only for CB425A and CB425W



Common Parts

Ref.	Spare Description	Code
1	Sprayer	D20002
2*	Sprayers Bar Assembly	See Table
3*	Overflow Cap	10305
4*	Overflow Pipe	10133
5*	OR Gasket for Overflow Pipe	20233
6	Gasket for Pump Suction/Delivery Pipes	13220
7	Insulated Pump Suction/Delivery Fitting	C10653
8	Insulated Pump Suction Pipe	C13173
9	Insulated Pump Delivery Pipe	C13175400
10*	Water Supply Pipe to the Evaporator	C13225
11*	Overflow Pipe	13108
12	Water Outlet Nipple	10472
13	Gasket	13219
14	Semirigid Polyethylene Gasket	13007
15	Bin Discharge Nut	10096
17	Bulbe-holder Pipe	20522
18	Complete Basin Assembly	C11258
19*	Ice Cubes Slide	See Table
20*	Pump Suction Filter	20005
21	Rod with Flags	10534
22	Flags ABS Support	10526
23	Inner Basin	10916
24	Slide Keep Plate	10009
25	Sprayers Feeding Pipe	13005
26	Fittings Locking Ring	10654

Rev. 01 - 06/06/2022

Ref. 2* - Sprayers Bar Assembly

Kind of Cube	Code
18 g. (Standard)	C201070
33 g.	C201090
13 g.	C201072
42 g.	C201090

Ref. 19* - Ice Cubes Slide

Kind of Cube	Code
18 g. (Standard)	D12008
33 g.	D12030
13 g.	D12038
42 g.	D12030

Parts for Air-Cooled Version Only

Ref.	Spare Description	Code
16	Discharges Manifold	C10006

Parts for Water-Cooled Version Only

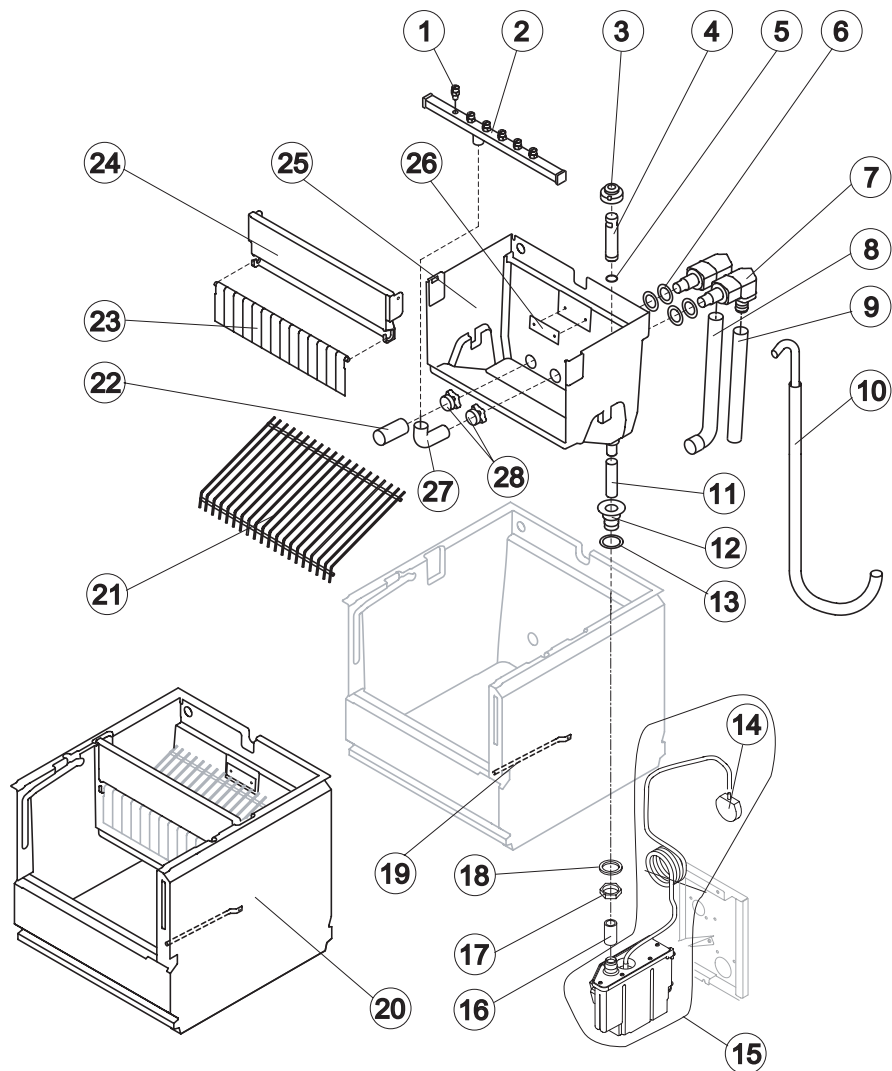
Ref.	Spare Description	Code
16	Discharges Manifold	C26452



CB 425 New

HYDRAULIC CIRCUIT

only for CB425A DP



Common Parts

Ref.	Spare Description	Code
1	Sprayer	D20002
2*	Sprayers Bar Assembly	See Table
3*	Overflow Cap	10305
4*	Overflow Pipe	10133
5*	OR Gasket for Overflow Pipe	20233
6	Gasket for Pump Suction/Delivery Pipes	13220
7	Insulated Pump Suction/Delivery Fitting	C10653
8	Insulated Pump Suction Pipe	C13173
9	Insulated Pump Delivery Pipe	C13175400
10*	Water Supply Pipe to the Evaporator	C13225
11*	Overflow Pipe	13108
12	Water Outlet Nipple	10472
13	Gasket	13219
14	Drain Pump Pressure Switch	C231230
15	Drain Pump	RC231225
16	Bin Discharge-Drain Pump Connection	C13175100
17	Bin Discharge Nut	10096
18	Semirigid Polyethylene Gasket	13007
19	Bulbe-holder Pipe	20522
20	Complete Basin Assembly	C11258
21*	Ice Cubes Slide	See Table
22*	Pump Suction Filter	20005
23	Rod with Flags	10534
24	Flags ABS Support	10526
25	Inner Basin	10916
26	Slide Keep Plat	10009
27	Sprayers Feeding Pipe	13005
28	Fittings Locking Ring	10654

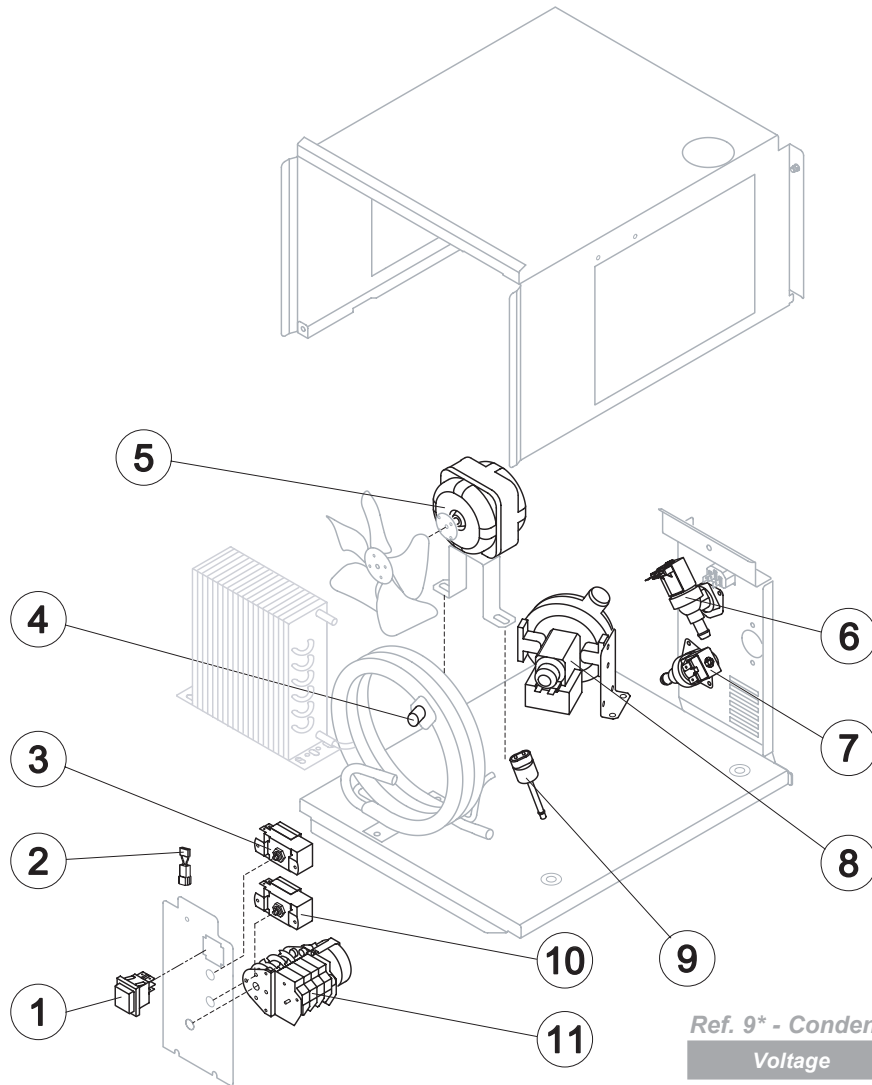
Ref. 2* - Sprayers Bar Assembly

Kind of Cube	Code
18 g. (Standard)	C201070
13 g.	C201072

Ref. 21* - Ice Cubes Slide

Kind of Cube	Code
18 g. (Standard)	D12008
13 g.	D12038

Rev. 01 - 06/06/2022



Common Parts

Ref.	Spare Description	Code
1*	Green Light Switch (On-Off)	23327
3*	Bin Thermostat	23005
5*	Fan Motor	See Table
7*	1 Way- Water Inlet Valve (Evaporator)	See Table
8*	Pump Assembly	See Table
10*	Evaporator Thermostat	23591
11*	Timer	See Table

Parts for Water-Cooled Version Only

Ref.	Spare Description	Code
2	Anti Radio Interference Filter	C23457
4*	Safety Thermostat	C23114
6*	1 Way- Water Inlet Valve (Condenser)	See Table
9*	Condenser Pressure Switch	See Table

Ref. 5 - Fan Motor

Voltage	Code
220/240V 50 Hz	231041
220V 60 Hz	231041
115V 60Hz	23683

Ref. 6 - 1way-Water inlet valve

Voltage	Code
220/240V 50 Hz	23001
220V 60 Hz	23001
115V 60Hz	23410

Ref. 7 - 1way-Water inlet valve

Voltage	Code
220/240V 50 Hz	23001
220V 60 Hz	23001
115V 60Hz	23410

Ref. 8 - Pump Assembly

Voltage	Code
220/240V 50 Hz	C231397
220V 60 Hz	C231418
115V 60Hz	C231480

Ref. 9* - Condenser Pressure Switch

Voltage	Code
220/240V 50 Hz	231346
220V 60 Hz	23175
115V 60Hz	231346

Ref. 11* - Timer

Voltage	Cube 18g	Cube 33g	Cube 13g	Cube 42g
220/240V 50 Hz	23222	23248	23247	23780
220V 60 Hz	231078	231080	231077	231080
115V 60Hz	23833	ND	23258	ND

Rev. 01 - 06/06/2022